

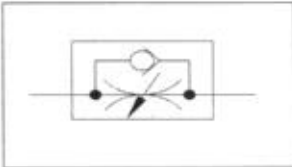
## Flow Control Valve

M5, 1/8, 1/4, 3/8, 1/2

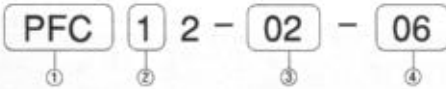
PFC□2

One touch fitting built-in  
Meter-out type

### Symbol



### Ordering Instruction



#### 1. Series

#### 2. Body Size

1	M5
2	1/8", 1/4"
3	1/4", 3/8"
4	1/2"

#### 3. Tube Diameter

04	4 mm
06	6 mm
08	8 mm
10	10 mm
12	12 mm

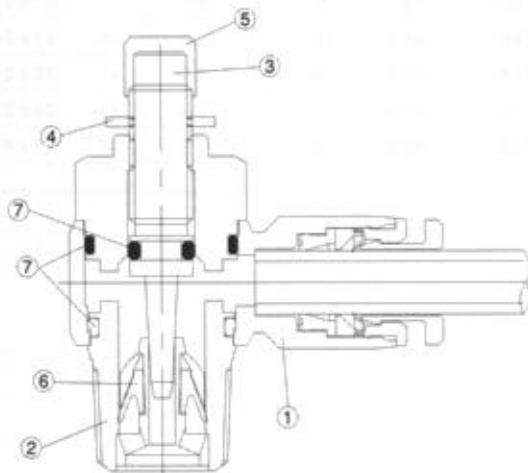
#### 4. Port Size

M5	M5
1/8	1/8"
1/4	1/4"
3/8	3/8"
1/2	1/2"

### Specification

Proof Pressure	12 bar
Max Using Pressure	9.9 bar
Temperature Range	5~60°C
Fluid	Air
Material	Nylon, Polyurethan
Port Size	M5, 1/8, 1/4, 3/8, 1/2
Applicable Tube diameter(mm)	φ4, φ6, φ8, φ10, φ12

### Construction

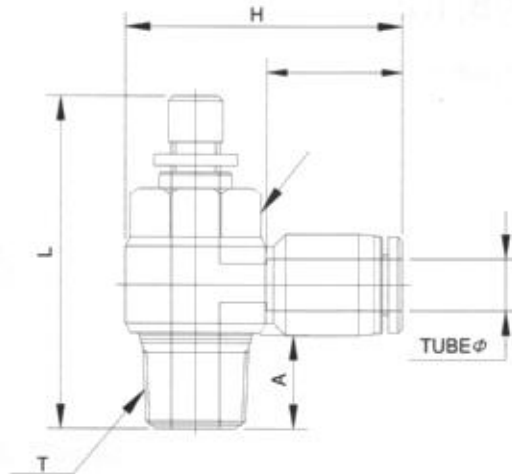


	Description	Material
1	Body	Resin
2	Body	Brass
3	Needle	Brass
4	Lock Nut	Brass
5	Handle	Brass
6	U packing	NBR
7	O-ring	NBR

## Flow Cotrol Valve(One touch fitting built-in)

### Dimension

PFC Series



(Unit : mm)

Model No	L		T	H	Tube Diameter	F	A	Nut φ
	Max	Min						
PFC12-04-M5	33.7	37	M5 x 0.8P	26.6	4	16.8	4.6	08 x 9.24
PFC12-06-M5	33.7	37	M5 x 0.8P	27.2	6	17.6	4.6	08 x 9.24
PFC22-04-1/8	44.3	48.6	PT1/8	31.5	4	16.8	8	14 x 16.1
PFC22-06-1/8	44.3	48.6	PT1/8	32.4	6	17.6	8	14 x 16.1
PFC22-08-1/8	44.3	48.6	PT1/8	39.2	8	18.7	8	14 x 16.1
PFC22-04-1/4	44.3	48.6	PT1/4	34.8	4	16.8	10	17 x 19.6
PFC22-06-1/4	44.3	48.6	PT1/4	35.6	6	17.6	10	17 x 19.6
PFC22-08-1/4	44.3	48.6	PT1/4	37.7	8	18.7	10	17 x 19.6
PFC22-10-1/4	47.6	52	PT1/4	37.9	10	19.6	10	17 x 19.6
PFC22-12-1/4	47.6	52	PT1/4	39.2	12	21.9	10	17 x 19.6
PFC32-06-3/8	47.6	52	PT3/8	40.9	6	17.6	11	21 x 24.2
PFC32-08-3/8	52	57.5	PT3/8	42.7	8	18.7	11	21 x 24.2
PFC32-10-3/8	52	57.5	PT3/8	43.6	10	19.6	11	21 x 24.2
PFC32-12-3/8	52	57.5	PT3/8	45.9	12	21.9	11	21 x 24.2
PFC42-10-1/2	61.3	67.2	PT1/2	45.6	10	19.6	14	24 x 27.7
PFC42-12-1/2	61.3	67.2	PT1/2	48.3	12	21.9	14	24 x 27.7

# Flow Control Valve

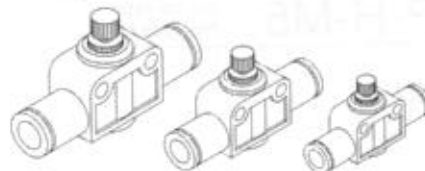
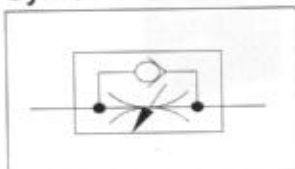
## Flow Control Valve

φ4, φ6, φ8, φ10, φ12

PFC25

In-line Type  
One touch fitting built-in

Symbol



Ordering Instruction

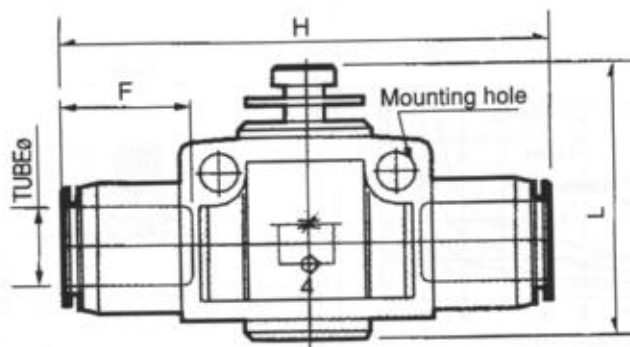
①	②
PFC25	06
1. Series	2. Tube Diameter
	04 4 mm
	06 6 mm
	08 8 mm
	10 10 mm
	12 12 mm

Specification

Proof Pressure	MPa(bar)	12
Max Using Pressure		9.9
Temperature Range	℃	5-60
Fluid		Air
Material		Nylon, Polyurethan
Applicable Tube diameter(mm)	mm	φ4, φ6, φ8, φ10, φ12

Dimension

(Unit : mm)



Model No	L		Mounting hole(φ)	H	Tube φ	Tube insert length (F)
	Min	Max				
PFC25-04	29.9	33.3	3.3	45.1	4	16.8
PFC25-06	35	39.5	4.3	50.3	6	17.6
PFC25-08	37.4	42.1	4.4	55.7	8	18.7
PFC25-10	43.8	49	4.4	61.2	10	19.6
PFC25-12	46.7	53.6	4.4	69.8	12	21.9