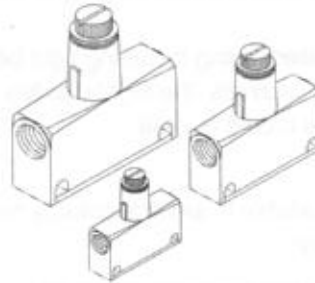


Cylinder Controller SC Series Flow Control Valve / In-Line Type

| | |
|-------|--|
| SC320 | IN-Line Type Port Size Rc $\frac{1}{4}$ |
| SC330 | IN-Line Type Port Size Rc $\frac{3}{8}$ |
| SC340 | IN-Line Type Port Size Rc $\frac{1}{2}$ |



Symbol

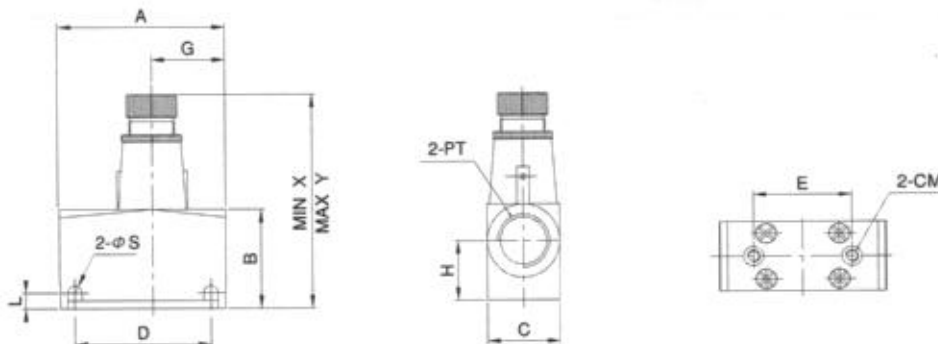


Specification

| Series | | Unit | SC320-08 | SC330-10 | SC340-15 |
|----------------------|----------------|-----------------|---------------|---------------|---------------|
| Port Size | | Rc(PT) | $\frac{1}{4}$ | $\frac{3}{8}$ | $\frac{1}{2}$ |
| Free Flow | Air Flow | ℓ /min | 340 | 800 | 1650 |
| | Effective Area | mm ² | 5 | 12 | 24 |
| Controlled Flow | Air Flow | ℓ /min | 250 | 800 | 1650 |
| | Effective Area | mm ² | 3.7 | 12 | 24 |
| Fluid | | | Air | | |
| Using Pressure Range | | | 0.5-0.9 | | |
| Temperature Range | | °C | 0-60 | | |
| Weight | | g | 115 | 125 | 240 |

Dimension

(Unit : mm)



| Series | A | B | C | D | E | G | H | L | PT | φS | X | Y | CM |
|----------|----|----|----|----|----|----|----|-----|-----|-----|------|----|-------------|
| SC320-08 | 40 | 27 | 18 | 31 | 31 | 18 | 18 | 5 | 1/4 | 4.6 | 52 | 56 | M3X0.5P dp6 |
| SC330-10 | 56 | 33 | 24 | 45 | 32 | 25 | 21 | 5.5 | 3/8 | 5.6 | 63.5 | 69 | M4X0.7P dp9 |
| SC340-15 | 66 | 38 | 29 | 54 | 39 | 29 | 24 | 6 | 1/2 | 5.6 | 79 | 87 | M5X0.8P dp8 |